

SOLTAIRE 250

For top hung sliding doors. Max 250kg each.

APPLICATION

- Manufactured from high grade 316 stainless steel with anodised aluminium track
- This reliable system is extremely durable and ideal for coastal applications, heavy use or areas requiring a high level of corrosion resistance
- Designed for interior and exterior doors up to 250kg
- Ideal for residential or commercial applications
- Designed to accommodate single or multiple panels on one or more tracks
- Hangers available for timber or metal doors
- The track can be soffit fixed or face fixed to give flexibility of installation

DOOR SPECIFICATION

Track System Soltaire 250

For Individual Doors:

Max Door Weight 250kg
Door Thickness 35-48mm*
Max Panel Height 3300mm

* For doors thicker than 48mm, please contact our technical sales team for further information.

HARDWARE SPECIFICATION

Track **H250A** Anodised Aluminium (2000, 3000, 4000 & 6000mm lengths)
Soffit fix spacing 900mm centres (maximum)

Brush Strips **HBS10, HBS15, HBS20, HBS25** Available in black in 4 brush heights, by the metre (mm)

Brackets **H1/SS** Face fixed stainless steel
H5H/SS Double face fixed stainless steel (heavy)
Starting 20mm from end of track fix at 900mm maximum centres.

Hangers (2 per door)* **H52/250/SS** Timber doors – angle plate fixing
H53/250/SS Timber doors – saddle plate fixing
H56/250/SS Metal doors – angle frame fixing
H56X/250/SS Metal doors – box frame fixing
H57/250/SS Timber doors – concealed plate fixing
H57/250/SS Metal doors – concealed plate fixing

* Each panel must be rigid enough to be supported by only two hangers

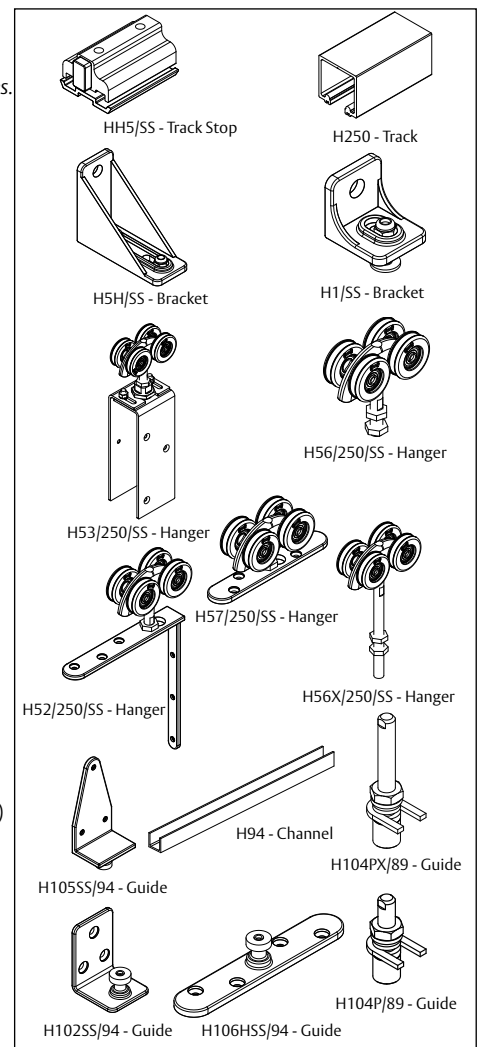
Track Stop **HH5/SS** Anodised aluminium with rubber buffer

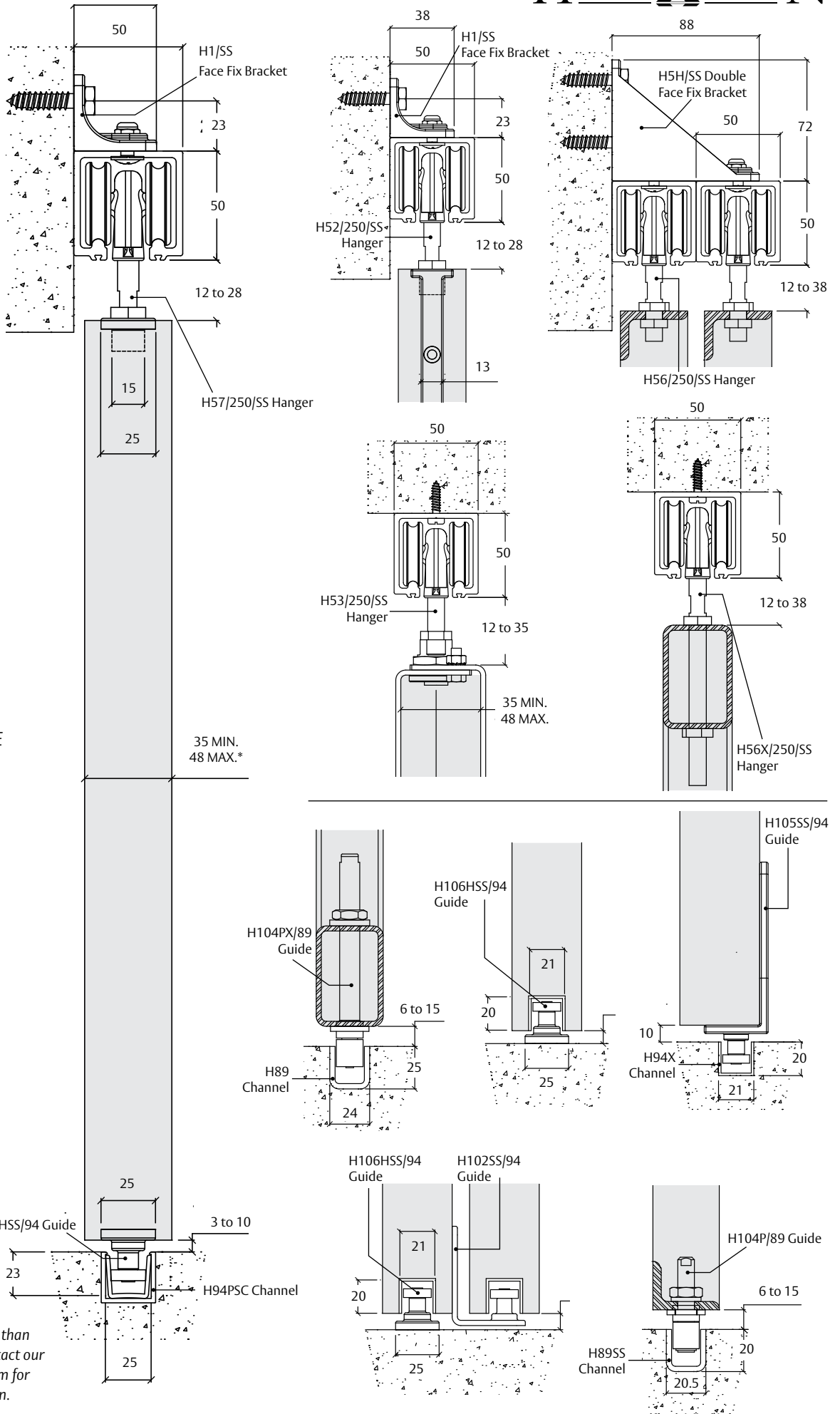
Guides **H102SS/94** Timber doors - wall mounted and multiple run guide
H104PX/89 Metal door - box section
H104P/89 Metal door - angle frame
H105SS/94 Timber doors - face mounted guide
H106HSS/94 Timber doors - concealed fixing with SS bearing

Channels **H94X** Aluminium (2000, 3000, 4000 & 6000mm lengths)
H94 Brass (1500 & 3000mm lengths)
H89SS Stainless steel (2000 & 3000mm lengths)
H94P Polypropylene (2000, 3000, 4000 & 6000mm lengths)
H94PSC Aluminium supporting channel and polypropylene (2000, 3000, 4000 & 6000mm lengths)

Accessories

Interlocking Seal **H59BZ/4800** Bronze anodised (4800mm to suit typical 2400mm door height)
H59CA/4800 Clear anodised aluminium (4800mm to suit typical 2400mm door height)
Drilled and countersunk. Includes brush seal.





NOT TO SCALE

* For doors thicker than 48mm, please contact our technical sales team for further information.